

## LED High Bay Light Specification YR-HB220-W150



### I. Application:

Apply to workshop, factory building, warehouse, highway toll stations, gas stations, supermarkets, Exhibition halls, stadiums and other places of lighting required.

### II. Features:

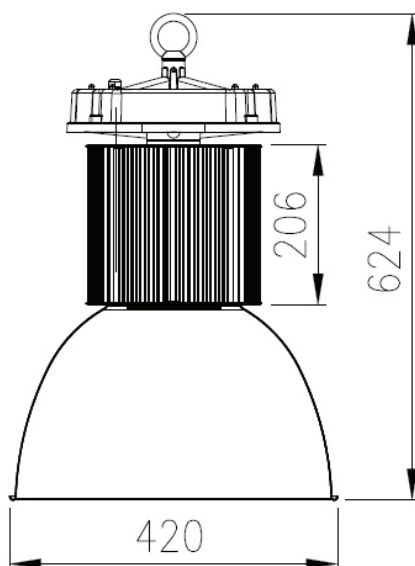
1. Applying heat pipe technology to obtain higher efficiency of heat dissipation, lighter of aluminum housing.
2. Design of module aluminum housing can improve horizontal heat convection to prevent driver casing overheating and protect the driver working under normal temperature.
3. Certificate approved LED explosion-proof light in Asia area.
4. LED chip: Epistar/Bridgelux/Samsung/Cree/Philips.
5. Power supply: Mean well.

Add: Building 31-33, XiTian second industrial estate, Gongming street,  
Guangming new district, Shenzhen, Guangdong, China.

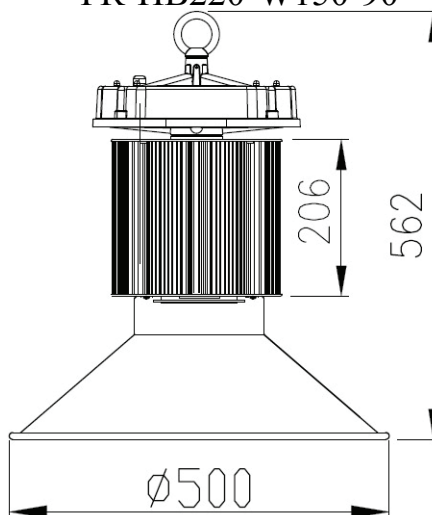
Tel: 0755-89491155 Fax: 0755--89491102 Website: [www.86yr.com/](http://www.86yr.com/)

### III. Product Size:

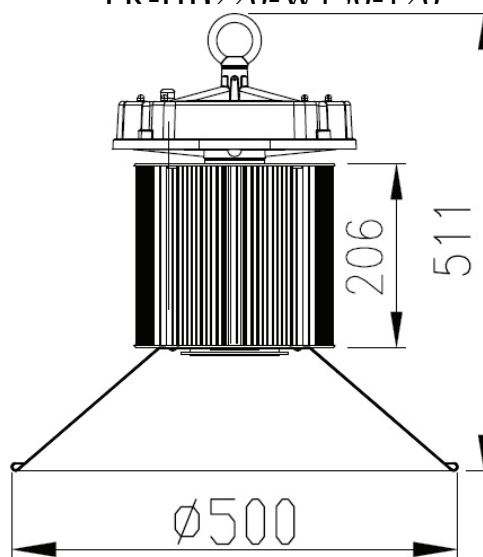
YR-HB220-W150-45



YR-HB220-W150-90



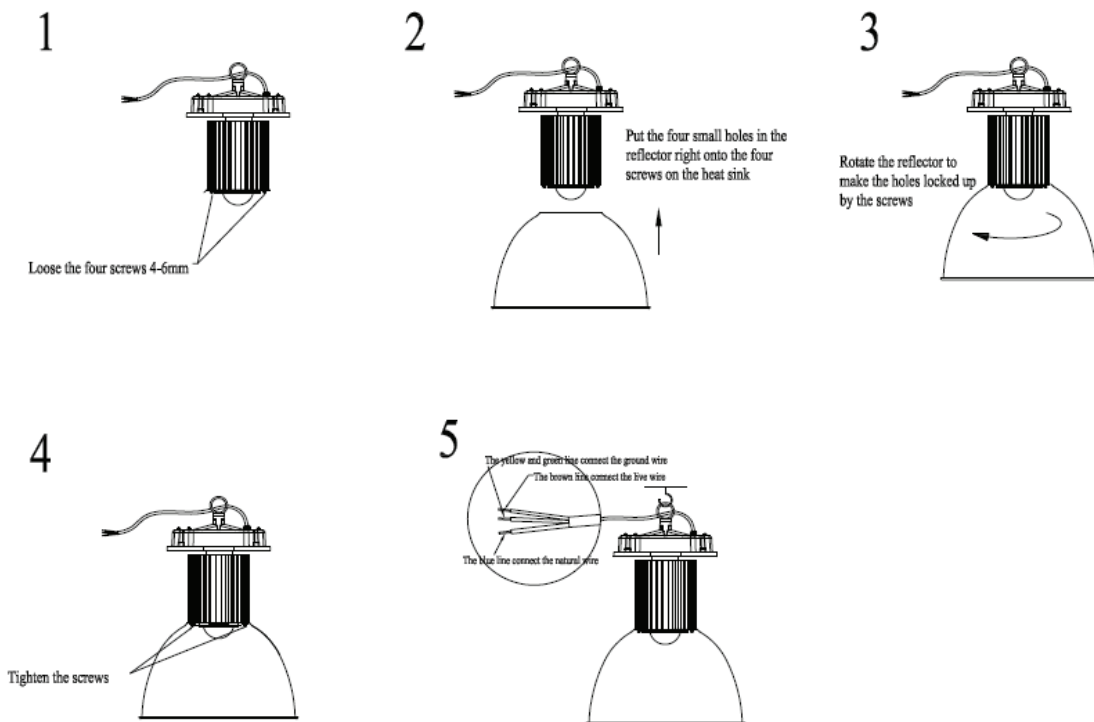
YR-HB220-W150-120



## IV. Technical Parameter:

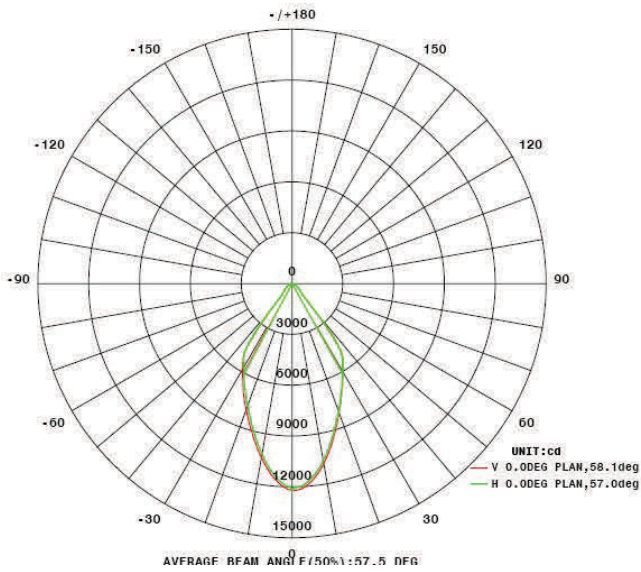
Model	Angle	CCT	CRI	Luminous Flux	Size (MM)	System Power
YR-HB220-W150-45	45°	5000K	≥70	13200 LM	420*420*624	153 ± 5W
YR-HB220-W150-90	90°	5000K	≥70	13650LM	500*500*562	153 ± 5W
YR-HB220-W150-120	120°	5000K	≥70	14250LM	500*500*511	153 ± 5W
Color temperature 3000K 4000K 5000K optional						
Driver efficiency >0.90						
Input Voltage: AC90V ~ 277V						
Storage temperature: - 40 ~ 50°C						

## V: Installation Instruction :

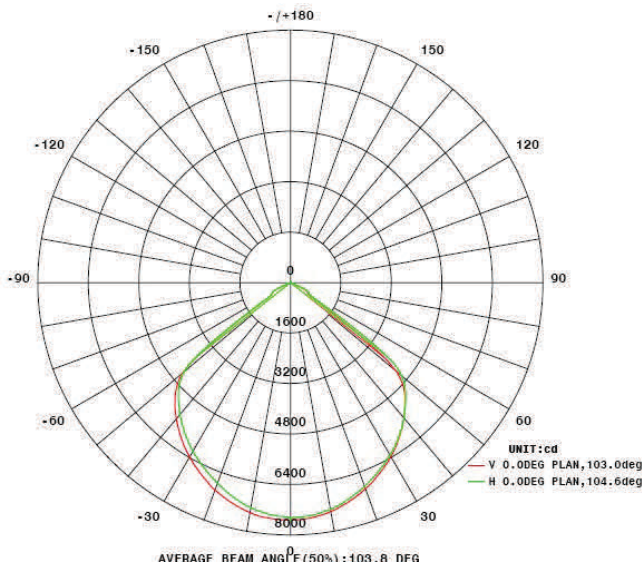


## VI. Optical data:

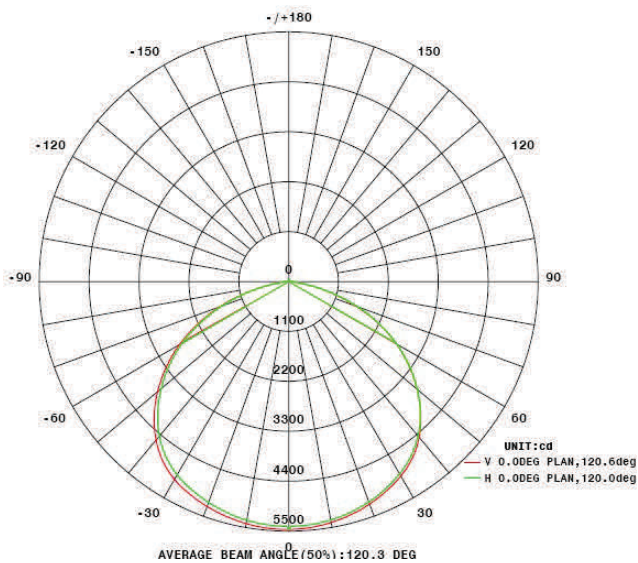
### YR-HB220-W150-45



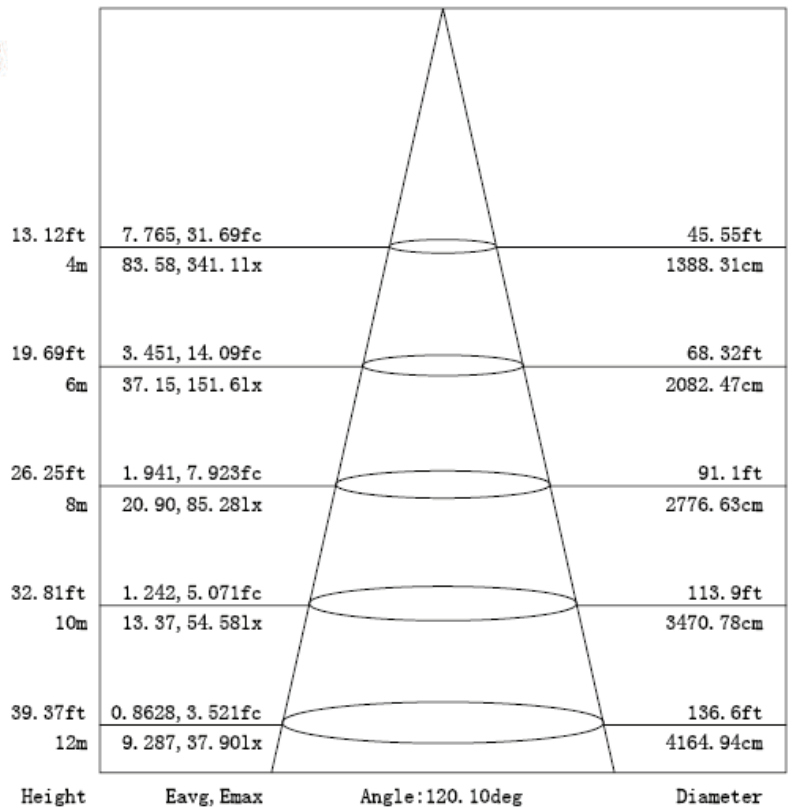
### YR-HB220-W150-90



### YR-HB220-W150-120



Flux out: 13674 lm



Note: The Curves indicate the illuminated area and the average illumination when the luminaire is at different distance.

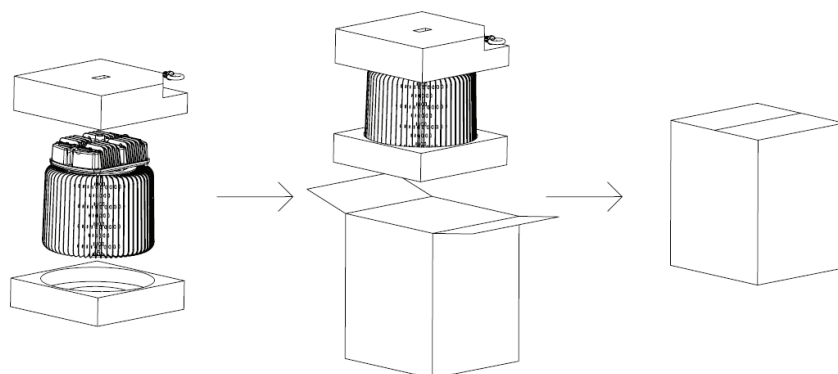
Add: Building 31-33, XiTian second industrial estate, Gongming street,  
Guangming new district, Shenzhen, Guangdong, China.

Tel: 0755-89491155 Fax: 0755--89491102 Website: www.86yr.com/

## VII. Package :

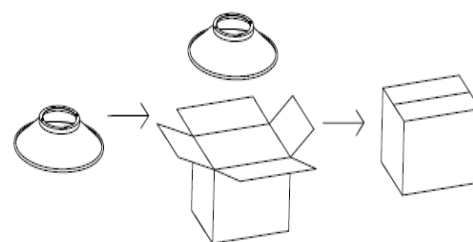
Lamp body

Item	Data
Outer carton	32*32*41 cm
Qty	1pcs
Net Weight	5.12kg
Gross Weight	6.0 kg



Reflectors

Item	45 degree	90 degree	120 degree
Carton	45*45*37cm	53*53*37cm	53*53*28cm
Qty	<10 pcs	<7 pcs	<20 pcs
Net Weight/pcs	0.5 kg	0.5 kg	0.5 kg



## VIII. Installation Caution:

- 1、 Make sure the power has been turned off before maintenance.
- 2、 Clean the lens cover regularly to maintain high transmission of light.
- 3、 Clean up the dust from the reflector and heat sink regularly to keep sound heat dispersion.
- 4、 Be careful not to use water or corrosive solution for cleaning, preferably with a dry cloth.
- 5、 When install or replace power supply, directly open the back cover with a screwdriver, then remove the power supply. There are three-core cable of AC power, red corresponds to the power of “L”, blue to “N”, and green or yellow to “G” .